

206020" E982Z00T

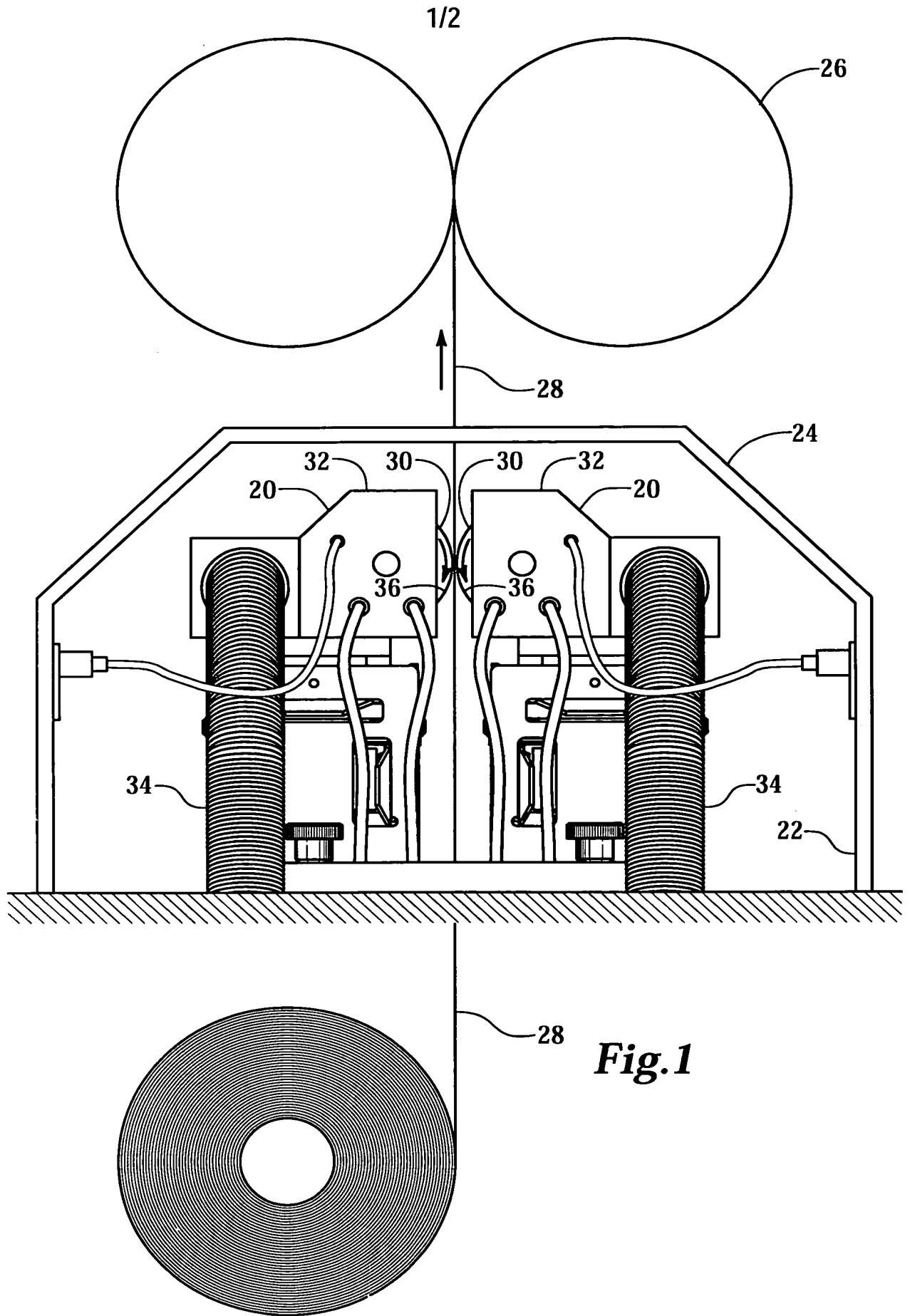


Fig. 1

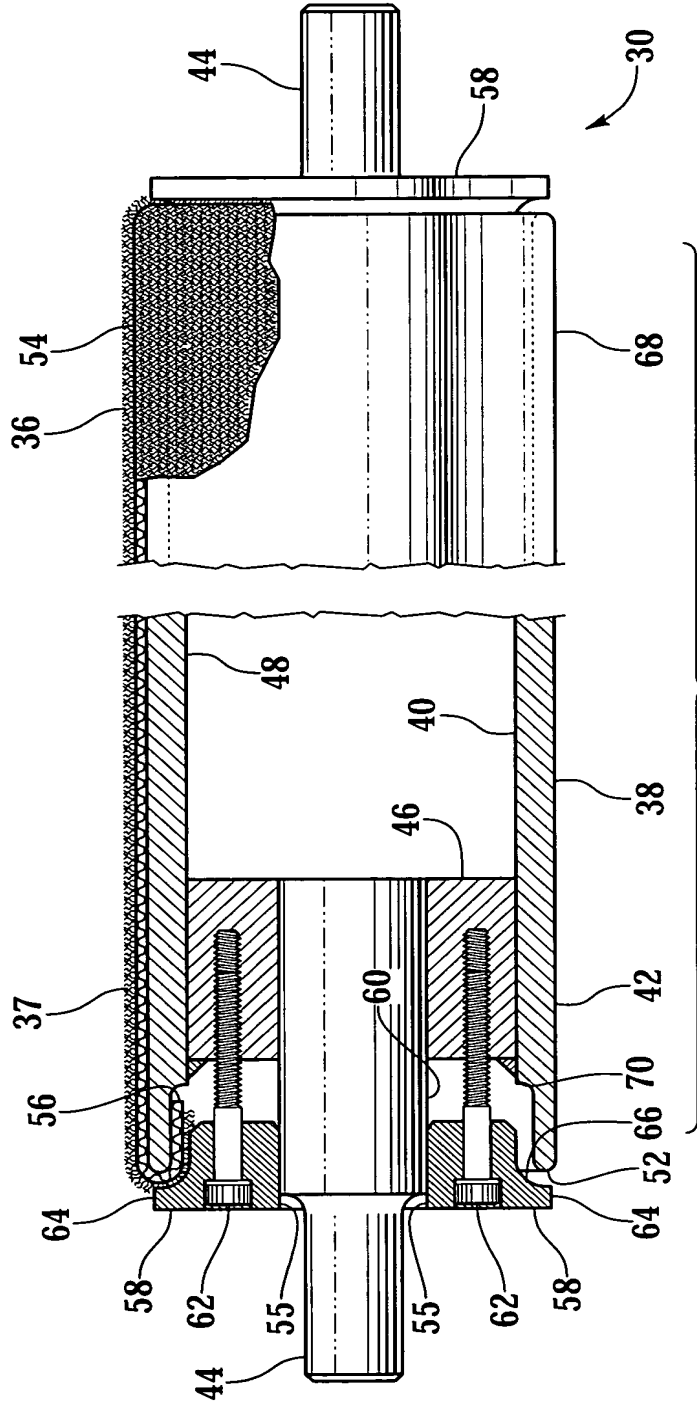


Fig. 2